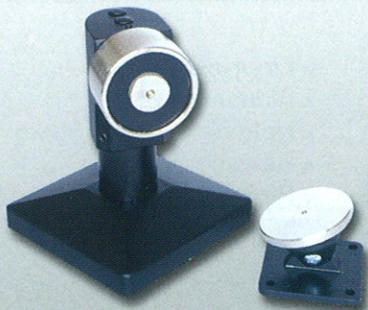


SERIES 1370 1380

Electromagnetic door release unit with bracket

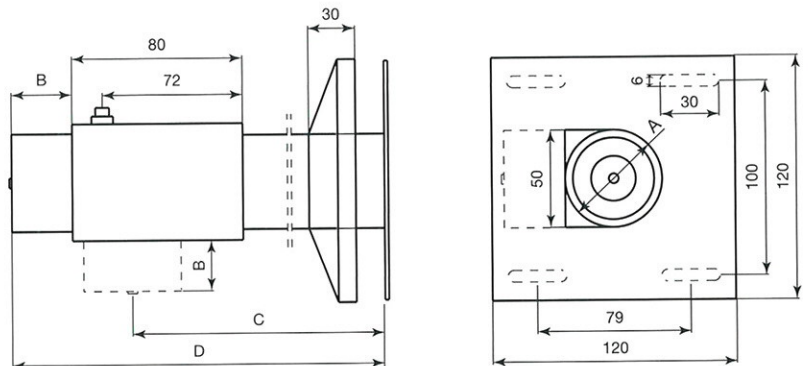
- Floor, wall and ceiling-mounting
- Holding strength 50 and 100 kg
- Release button
- Provided with damping keeper plate
- Mounting height with 30 mm regulation



Electromagnetic door release unit designed to hold open fire or smoke stop doors for convenience, and then release automatically them in response to an emergency. The electromagnet has two mounting positions (axial and perpendicular) on the magnet, allowing both wall and floor-mounting with the supplied bracket. This versatile unit allows the magnet assembly to be adjusted to suit fitting floor or wall. With two arm lengths available this unit will satisfy most of the more difficult application that may arise. The base cover hides mounting screws, conveying excellent aesthetic results. Thanks to its solid metal structure and mounting versatility, this electromagnetic release unit is highly suitable for applications in hospitals, hotels, shopping malls and industrial factories. All units include a manual release button and a flexible door mounted keeper plate. An integrated spring extractor allows to overcome any residual magnetism, ensuring a fast and reliable door release.

GENERAL SPECIFICATIONS

Core support material	Aluminum, epoxy black painting
Core material	Steel
Bracket material	Steel, epoxy black painting
Base cover material	Thermoplastic, black
Keeper plate material	Black thermoplastic support, steel plate
Operation	Release with no power supply
Connection type	Wire
Operating temperature	-10°C to +55°C
Protection degree	IP 40
Standard equipment	Flexible keeper plate . Release button, base cover
Packaging	1 pcs./package



ORDER CODES

Code	Holding strength ± 15%	Rated voltage	Rated current	A core diam.	Height B	Height C	Height D	Auxiliary keeper plate	Package weight	Notes
1370/15	50 kg/490 N	24V DC	65 mA	50 mm	28 mm	127÷157 mm	180÷210 mm	Code 1351	1,2 Kg	
1370/15 D	50 kg/490 N	24V DC	65 mA	50 mm	28 mm	127÷157 mm	180÷210 mm	Code 1351	1,2 Kg	2 protection diodes, loose
1370/30	50 kg/490 N	24V DC	65 mA	50 mm	28 mm	277÷307 mm	330÷360 mm	Code 1351	1,45 Kg	
1370/30 D	50 kg/490 N	24V DC	65 mA	50 mm	28 mm	277÷307 mm	330÷360 mm	Code 1351	1,45 Kg	2 protection diodes, loose
1380/15	100 kg/980 N	24V DC	100 mA	60 mm	32,5 mm	127÷157 mm	185÷215 mm	Code 1361	1,43 Kg	
1380/15 D	100 kg/980 N	24V DC	100 mA	60 mm	32,5 mm	127÷157 mm	185÷215 mm	Code 1361	1,43 Kg	2 protection diodes, loose
1380/30	100 kg/980 N	24V DC	100 mA	60 mm	32,5 mm	277÷307 mm	335÷365 mm	Code 1361	1,68 Kg	
1380/30 D	100 kg/980 N	24V DC	100 mA	60 mm	32,5 mm	277÷307 mm	335÷365 mm	Code 1361	1,68 Kg	2 protection diodes, loose



ACCESSORIES AVAILABLE (see accessories page)

Code	Description
1353	Fix keeper plate, diameter 55 mm
1363	Fix keeper plate, diameter 60 mm

ELECTROMAGNETIC DOOR RELEASE UNITS